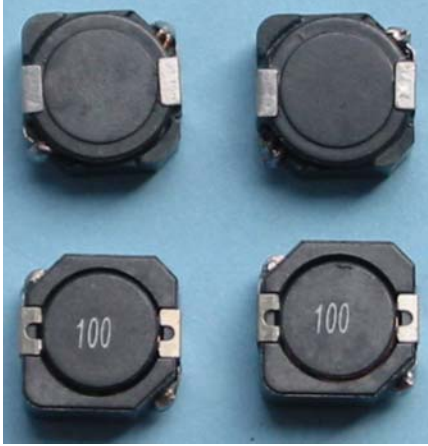


TCRC TYPE

SMD POWER INDUCTOR

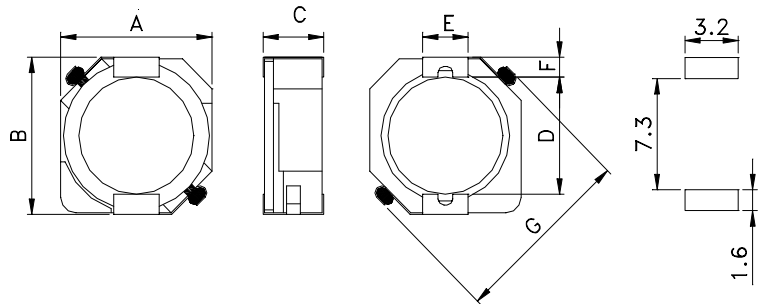


FEATURE:

- Magnetic shielded for low radiation.
- Ferrite bobbin core and compact size.
- Low core loss for high frequency power application.
- Large terminal surface for good PCB bonding.

SHAPES&DIMENSION:

Unit:mm



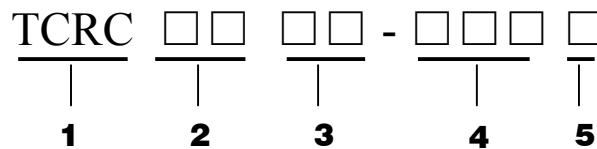
APPLICATION

- Desktop,notebook computers
- Network hubs,bridges,routers
- xDSL,PBX base stations
- GPS systems
- PDAs,MP3 players,digital cameras
- Digital TV,DVD,cable modems,
DSS set-top boxes
- Battery chargers
- High frequency wireless
communication devices
- Electronic game devices
- Industrial electronics
- Onboard power supplies

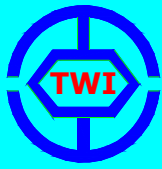
Part No.

Part No.	A	B	C	D	E	F	G
TCRC 1030	10.3MAX	10.5MAX	3.1MAX	7.7	3	1.2	13.5MAX
TCRC 1040	10.3MAX	10.5MAX	4.0MAX	10.0	2.0	4.00	13.5MAX
TCRC 1050	10.3MAX	10.5MAX	5.1MAX	12.5	2.5	5.0	13.5MAX

PART NUMBERING SYSTEM:



- 1) PRODUCT SYMBOL
- 2) OUTSIDE DIA :m/m
- 3) BODY HEIGHT :m/m
- 4) INDUCTANCE :μH
- 5) TOLERANCE :K 10%, L 15%, M 20%,N 30%



TCRC TYPE

SMD POWER INDUCTOR

STANDARD SPECIFICATION

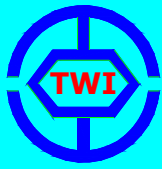
Part Inductance		DCR(Ω)Max.			Rated D.C. Current(A)Max.		
No.	L(μ H)	TCRC 1030	TCRC 1040	TCRC 1050	TCRC 1030	TCRC 1040	TCRC 1050
0R8	0.8	0.0057		0.004	6.50		7.50
1R5	1.5	0.011	0.0081	0.006	4.20	10.00	7.00
2R2	2.2	0.0169		0.007	4.05		6.30
2R5	2.5		0.010			7.50	
3R3	3.3	0.021		0.010	3.80		5.75
3R8	3.8		0.013			6.00	
4R7	4.7	0.030		0.012	3.30		4.75
5R2	5.2		0.022			5.50	
6R8	6.8	0.035		0.180	3.15		4.10
7R0	7		0.027			4.80	
8R2	8.2	0.050		0.020	2.50		4.00
100	10	0.059	0.035	0.026	2.40	4.40	3.75
150	15	0.091	0.050	0.041	2.05	3.60	2.65
220	22	0.143	0.073	0.061	1.20	2.90	1.80
330	33	0.202	0.093	0.084	1.10	2.30	1.65
470	47	0.299	0.128	0.130	0.90	2.10	1.50
560	56	0.325		0.149	0.78		1.45
680	68	0.429	0.213	0.201	0.68	1.50	1.20
820	82	0.494	0.304	0.227	0.63	1.35	0.95
101	100	0.638		0.253	0.56		0.90
121	120	0.754			0.53		
151	150	0.871	0.506	0.370	0.51	1.15	0.80
181	180						
221	220		0.756	0.500		0.92	0.70
331	330		1.090	0.812		0.70	0.50

1.Test Freq.(L): 100KHz 0.25V;

2.Tolerance of Inductance: 0.8~330 μ H \pm 30%(N);

3.Operating temperature-40 $^{\circ}$ C to +85 $^{\circ}$ C.

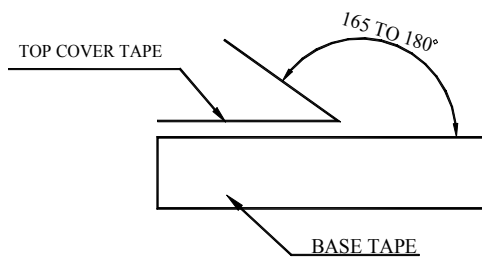
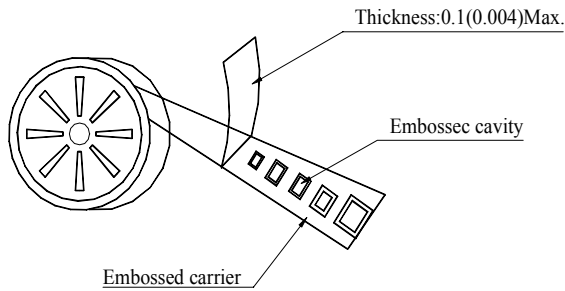
4.The rated current indicates the current when the inductance decreases to 65% over OF it's nominal value or D.C.current when the temperature rising Δ t=30 $^{\circ}$ C lower ,whichever is lower.



TCRC TYPE

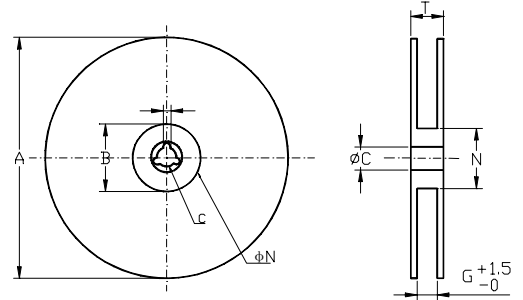
SMD POWER INDUCTOR

PACKAGING FOR SMC



The force for tearing off cover tape is 10 to 60 grams in the arrow direction.

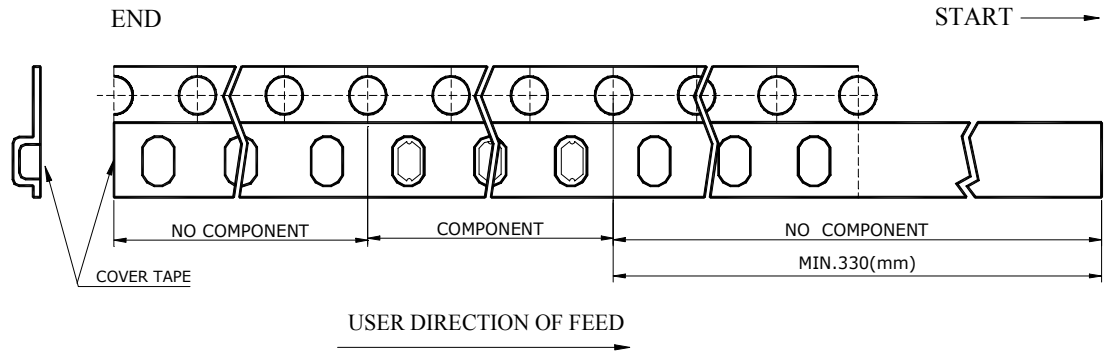
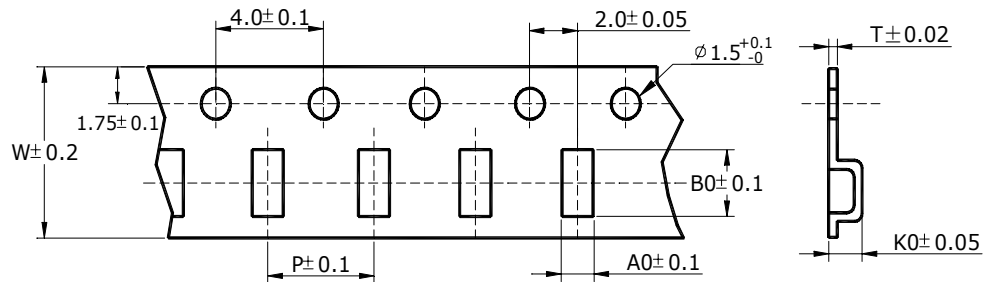
CARRIER TAPE REELS



MATERIAL: PAPER/PLASTIC Dimension in mm

TYPE	A	B	C	G	N	T
8mm	178	21.0±0.8	13.0±0.2	8.4	55	12.4
12mm	178	21.0±0.8	13.0±0.2	12.4	55	16.4
16mm	178	21.0±0.8	13.0±0.2	16.4	55	20.4
24mm	178	21.0±0.8	13.0±0.2	24.4	100	28.4
12mm	330	21.0±0.8	13.0±0.2	12.4	100	16.4
16mm	330	21.0±0.8	13.0±0.2	16.4	100	20.4
24mm	330	21.0±0.8	13.0±0.2	24.4	100	28.4
24mm	330	21.0±0.8	13.0±0.2	24.4	75	28.4
32mm	330	21.0±0.8	13.0±0.2	32.4	75	36.4

TAPE DIMENSION/PACKAGING



TYPE	A0	B0	K0	W	P	T	CHIPS/REEL	Dimension in mm
TCRC 1030	10.6	10.7	3.3	24.0	16.0	0.35	1500	
TCRC 1040	10.6	10.7	4.3	24.0	16.0	0.35	1000	
TCRC 1050	10.6	10.7	5.3	24.0	16.0	0.35	800	